

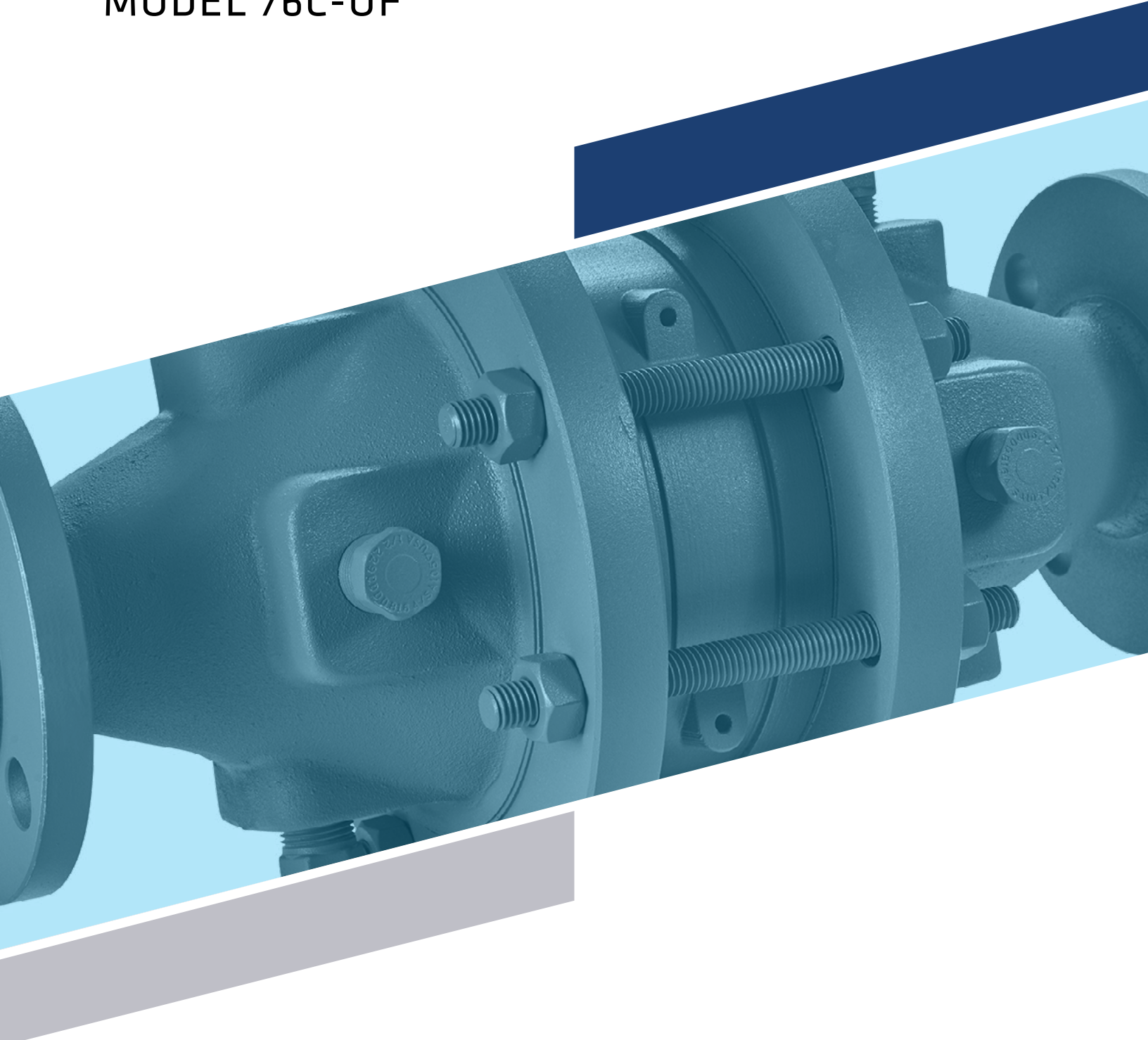


®

CORPORATION

FLAME ARRESTER

MODEL 76C-UF



MODEL 76C-UF

The Groth Model 76C-UF is designed to inhibit flame propagation in gas piping systems and to protect low pressure tanks containing flammable liquids. Arresters protect low flash point liquids from external sources of ignition providing increased fire protection and safety.

Technical Details

- Connection Sizes: 2" through 12" 150# ASME Flanged Connection, DIN bolting available
- Housing standard material: Carbon Steel, Stainless Steel
- Bases standard material: Aluminum (2"-6" only), Carbon Steel, Stainless Steel
- Flame element standard material: 316 Stainless Steel
- Operational Temperature Range: -4 to 140°F (-20 to 60°C)
- Gas Group: IEC IIA, NEC D
- Maximum Operational Pressure: see charts and IOM
- Burn Time: t_{BT} 2.5 minutes or better at Atmospheric Pressure (see charts and IOM)

Features

- Flame arrester element geometry maximizes flame quenching capability while minimizing pressure drop
- Removable element housing for ease of maintenance
- Spiral-wound, crimped ribbon flame element
- Flame elements made standard with premium 316SS material, reducing corrosion
- Bi-directional with respect to flow and ignition source

Options

- Exterior painting or coating available
- Drains and instrumentation ports available
- Available factory installed thermocouples for flame sensing



GROTHCORP.COM